

VLC-138

SINGLE POINT LOAD CELL

APPLICATIONS

Single Point
platform scale
Belt Conveyor
Bench scales
Checkweighing
Hopper scales



STANDARD CAPACITY

50kg, 100kg, 150kg, 300, 500kg
1000kg, 1200kg

WIRING

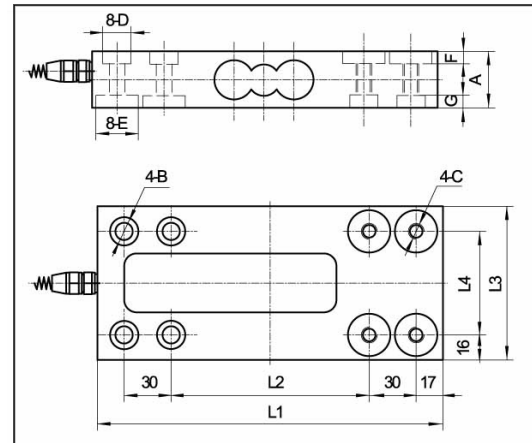
| | |
|-------|------------|
| RED | Input (+) |
| BLACK | Input (-) |
| GREEN | Output (+) |
| WHITE | Output (-) |

RECOMMENDED MAX. PLATFORM SIZE

600mm x 800mm (50 ~ 500kg)
800mm x 1000mm (1000 ~ 1200kg)

SPECIFICATIONS

| | |
|--------------------------|-----------------------|
| Rated output | 2mV/V \pm 10% |
| Non-linearity | 0.03% F.S. |
| Hysteresis | 0.03% F.S. |
| Non-repeatability | 0.02% F.S. |
| Creep (in 1 hr) | 0.03% F.S. |
| Zero Balance | \pm 1% |
| Temp. effect span | 15 PPM / °C |
| Temp. effect zero | 26 PPM / °C |
| Operating Temp. range | -20°C ~ +60°C |
| Compensated Temp. range | -10°C ~ +40°C |
| Input resistance | 400 \pm 15 Ω |
| Output resistance | 350 \pm 3 Ω |
| Safe overload | 150% F.S. |
| Ultimate overload | 300% F.S. |
| Excitation voltage | 10VDC/AC |
| Max. Excitation voltage | 15VDC/AC |
| Insulation resistance | \geq 2000M Ω |
| Environmental protection | IP67 |
| Material | Aluminum |
| Cable Length | 20FT |



DIMENSION

| Capacity (kg) | A | B | C | D | E | F | G | L1 | L2 | L3 | L4 |
|---------------|----|-----|-----|-----|-----|----|----|-----|-----|----|----|
| 50 – 100kg | 25 | Ø9 | M18 | Ø18 | Ø18 | 8 | 8 | 200 | 110 | 80 | 56 |
| 150kg | 27 | Ø11 | M10 | Ø18 | Ø27 | 8 | 8 | 220 | 126 | 98 | 66 |
| 300kg | 31 | Ø11 | M10 | Ø18 | Ø27 | 8 | 8 | 220 | 126 | 98 | 66 |
| 500kg | 36 | Ø11 | M10 | Ø18 | Ø27 | 8 | 8 | 220 | 126 | 98 | 66 |
| 1000 – 1200kg | 47 | Ø13 | M12 | Ø22 | Ø27 | 10 | 10 | 220 | 126 | 98 | 66 |

* Specifications are subject to change without prior notice

Virtual Measurements & Control, Inc.
3196 Coffey Lane, Suite 604, Santa Rosa, CA 95403, USA
Tel : (707) 573-3111 Fax : (707) 573-3113
<http://www.virtualmc.com>

Virtual Measurements & Control (Asia) Pte. Ltd.
24 Hillview Terrace, Singapore 669235
Tel : (65) 6762-5522 Fax : (65) 6763 6656
sales@virtualmc.com