

VLC-100SH

SHEARBEAM HERMETICALLY SEALED LOAD CELL

APPLICATIONS

Tank weighing
Hopper weighing
Platform scales



STANDARD CAPACITY

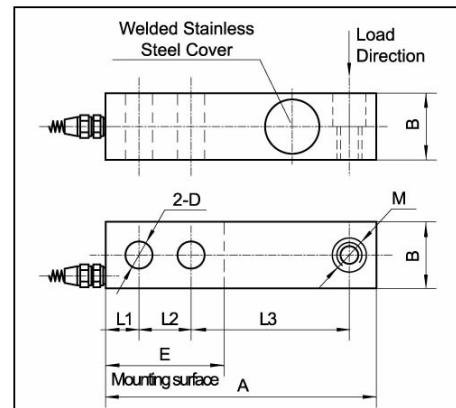
1k, 2.5k, 4k, 5k, 10klb

WIRING

RED	Input (+)
BLACK	Input (-)
GREEN	Output (+)
WHITE	Output (-)

SPECIFICATIONS

Rated output	2mV/V \pm 0.25%
Non-linearity	0.03% F.S.
Hysteresis	0.05% F.S.
Non-repeatability	0.02% F.S.
Creep (in 1 hr)	0.03% F.S.
Zero Balance	\pm 1%
Temp. effect span	15 PPM / °C
Temp. effect zero	26 PPM / °C
Operating Temp. range	-20°C ~ +60°C
Compensated Temp. range	-10°C ~ +40°C
Input resistance	385 \pm 15 Ω
Output resistance	350 \pm 3 Ω
Safe overload	150% F.S.
Ultimate overload	300% F.S.
Excitation voltage	10VDC/AC
Max. Excitation voltage	15VDC/AC
Insulation resistance	\geq 2000M Ω
Environmental protection	IP68
Material	Stainless steel
Cable Length	20FT



DIMENSION

	(inch)							
Capacity	A	B	D	E	L1	L2	L3	M
1k – 4klb	5.12	1.22	0.53	2.25	0.62	1.00	3.00	½-20UNF-2B
5k – 10klb	6.75	1.50	0.78	3.00	0.75	1.50	3.75	¾-16UNF-2B

* Specifications are subject to change without prior notice

Virtual Measurements & Control, Inc.
3196 Coffey Lane, Suite 604, Santa Rosa, CA 95403, USA
Tel : (707) 573-3111 Fax : (707) 573-3113
<http://www.virtualmc.com>

Virtual Measurements & Control (Asia) Pte. Ltd.
24 Hillview Terrace, Singapore 669235
Tel : (65) 6762-5522 Fax : (65) 6763 6656
sales@virtualmc.com