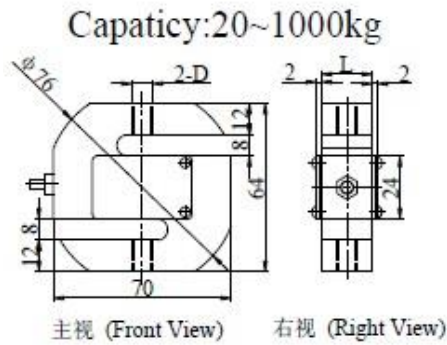


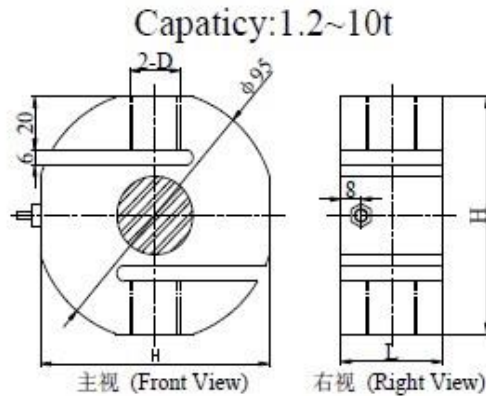
# NS18



## • DIMENSIONS



Capacity(kg)	D	L
20-150	M8	12
200-500	M12	20
700-1000	M12	25



Capacity(t)	D	L	H
1.2-5	M20	32	90
7.5	M24	40	90
10	M30	50	110

Red = Exc +  
 Black = Exc -  
 Green = Sig +  
 White = Sig -

## • SPECIFICATION

Capacity		kg	20, 30, 50, 75, 100, 150, 200, 250, 300, 500, 750 1, 1.2, 1.5, 2, 2.5, 3, 5, 7.5, 10 tf
Rated Output		mV/V	2.0 ± 0.005
Zero Balance		mV/V	0.0 ± 0.020
Accuracy Class		OIML	C3
Zero balance		% R.O.	0.02
Hysteresis		% R.O.	0.02
Combined Error		% R.O.	0.02
Repeatability		% R.O.	0.02
Creep for 30min.		% R.O.	0.015
Return for 30min.		% R.O.	0.015
Resolution		-	<1/5000
Division		mV/V	0.0004
Temperature Effect on	-Zero Value	%/10°C	± 0.02%
	-Output Value	%/10°C	± 0.02%
Excitation	-Recommended	V	5-12
	-Maximum	V	15
Resistance	-Input	Ω	410 ± 15
	-Output	Ω	350 ± 5
	-Insulation	μΩ	>5000
Compensated Temperature Range		°C	-10 to +40
Operating Temperature Range		°C	-30 to +70
Safety Overload		% R.L	150 R.L
Ultimate overload		% R.L	200 R.L
Protection class			67/68
Material			Aluminum Alloy
Cable		m	2