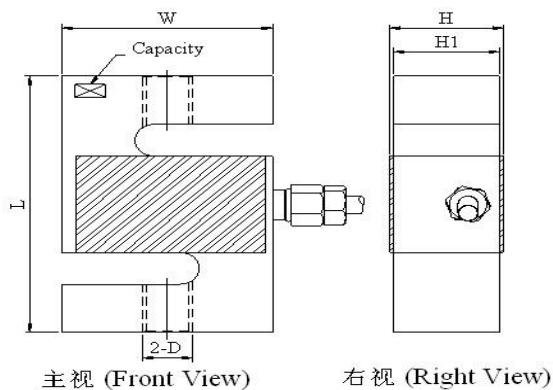


# NS1-2-4



## DIMENSIONS



Red = Exc +  
 Black = Exc -  
 Green = Sig +  
 White = Sig -

TYPE	L	W	H	H1	D
NS1-100kg, 200kg, 250kg, 300kg, 500kg, 750kg, 1000kg	76	50.8	21	19	M12 x 1.75
NS2-1T, 1.5T	76.2	50.8	27.5	25.4	M12 x 1.75
NS4-2T, 2.5T, 3T	107.9	76.2	27.5	25.4	M18 x 1.5

## SPECIFICATION

Capacity		kg	100, 200, 250, 300, 500, 750, 1, 1.5, 2, 2.5, 3, 5tf
Rated Output		mV/V	2.0 ± 0.005
Zero Balance		mV/V	0.0 ± 0.020
Accuracy Class		OIML	C3
Zero balance		% R.O.	0.02
Hysteresis		% R.O.	0.02
Combined Error		% R.O.	0.02
Repeatability		% R.O.	0.02
Creep for 30min.		% R.O.	0.015
Return for 30min.		% R.O.	0.015
Resolution		-	<1/5000
Division		mV/V	0.0004
Temperature Effect on	-Zero Value	%/10°C	± 0.02%
	-Output Value	%/10°C	± 0.02%
Excitation	-Recommended	V	5-12
	-Maximum	V	15
Resistance	-Input	Ω	390 ± 15
	-Output	Ω	350 ± 5
	-Insulation	μΩ	>5000
Compensated Temperature Range		°C	-10 to +40
Operating Temperature Range		°C	-30 to +70
Safety Overload		% R.L	150 R.L
Ultimate overload		% R.L	200 R.L
Protection class			67/68
Material			Steel Alloy
Cable		m	2