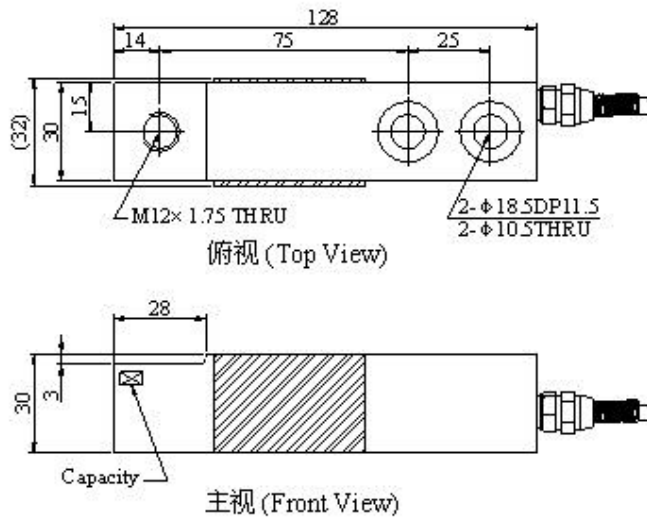


• DIMENSIONS



Red = Exc +
 Black = Exc -
 Green = Sig +
 White = Sig -

• SPECIFICATION

Capacity		kg	100, 150, 200, 300, 500, 750, 1tf
Rated Output		mV/V	2.0 ± 0.005
Zero Balance		mV/V	0.0 ± 0.020
Accuracy Class		OIML	C3
Zero balance		% R.O.	0.02
Hysteresis		% R.O.	0.02
Combined Error		% R.O.	0.02
Repeatability		% R.O.	0.02
Creep for 30min.		% R.O.	0.015
Return for 30min.		% R.O.	0.015
Resolution		-	<1/5000
Division		mV/V	0.0004
Temperature Effect on	-Zero Value	%/10°C	± 0.02%
	-Output Value	%/10°C	± 0.02%
Excitation	-Recommended	V	5-12
	-Maximum	V	15
Resistance	-Input	Ω	410 ± 15
	-Output	Ω	350 ± 5
	-Insulation	μΩ	>5000
Compensated Temperature Range		°C	-10 to +40
Operating Temperature Range		°C	-30 to +70
Safety Overload		% R.L	150 R.L
Ultimate overload		% R.L	200 R.L
Protection class			67/68
Material			Aluminum Alloy
Cable		m	2