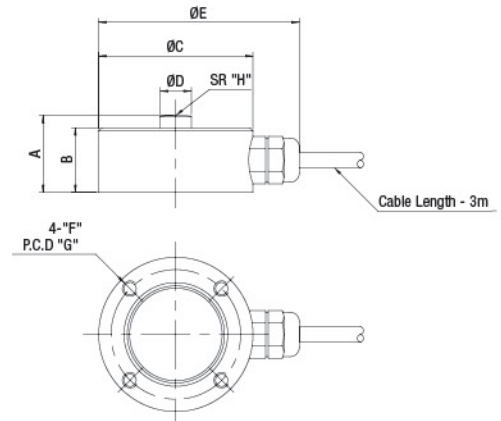


CMNC

Miniature load cell **50, 100, 200, 500 kgf, 1, 2, 5, 10, 20 tf**

www.curiotec.com



FEATURES

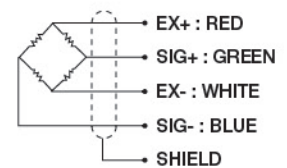
- Miniature dimension
- Compression application
- Application for limited space
- Protection class IP67

Material

Stainless steel(50kgf – 2tf), Paint finished steel(5tf – 20tf)

Cable

Braided shield 4-wire round cable with PVC-jacket



DIMENSIONS

Model	Capacity	A	B	C	D	E	F	G	H
CMNC-50L	50kgf	25	21	50	10	65	M5x0.8	42	50
CMNC-100L	100kgf								
CMNC-200L	200kgf								
CMNC-500L	500kgf								
CMNC-1T	1tf								
CMNC-2T	2tf	40	35	98	20	113	M6x1.0	72	150
CMNC-5T	5tf								
CMNC-10T	10tf								
CMNC-20T	20tf								
		50	45	118	20	132	M8x1.25	90	250

SPECIFICATIONS

Max. Capacity	kgf	50, 100, 200, 500, 1tf, 2tf, 5tf, 10tf, 20tf
Rated output	mV/V	2.0 ± 0.02
Zero balance	mV/V	0.0 ± 0.1
Combined error	%RO	0.15
Repeatability	%RO	0.05
Creep(30min.)	%RO	0.03
Temperature effect on		
Zero value	%RO/10°C	0.05
Output value	%RO/10°C	0.10
Excitation		
Recommended	V	10
Maximum	V	15
Resistance		
Input	Ω	420 ± 50
Output	Ω	350 ± 3.5
Insulation	MΩ	>2,000@50V DC
Compensated temp. range	°C	-10 ~ +40
Operating temp. range	°C	-20 ~ +80