

SBS Stainless S-beam load cell, 500kgf - 5tf

Load Cell



FEATURES

- Stainless steel
- Protection class IP67

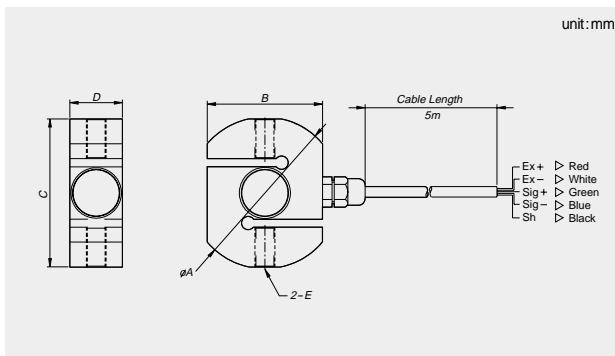
OPTIONS

- Ex ia IIC T6

SPECIFICATIONS

| | | |
|-------------------------------|--------|--------------------|
| Max. capacity | kg | 500, 1tf, 2tf, 5tf |
| Rated output | mV/V | 2.0 ± 0.002 |
| Zero balance | mV/V | 0 ± 0.02 |
| Combined error | % | 0.05 |
| Repeatability | % | 0.01 |
| Creep for 30min. | % | 0.03 |
| Temperature effect on | | |
| Zero Value | %/10°C | 0.03 |
| Output value | %/10°C | 0.014 |
| Excitation | | |
| Recommended | V | 10 |
| Maximum | V | 15 |
| Resistance | | |
| Input | Ω | 400 ± 25 |
| Output | Ω | 350 ± 3.5 |
| Insulation | MΩ | > 2,000 |
| Compensated temperature range | °C | -10 to +40 |
| Operating temperature range | °C | -30 to +80 |

DIMENSIONS



Material
Stainless steel

Cable
Braided shield 4-wire round cable
with Urethane-jacket

| Model | Capacity | A | B | C | D | E |
|----------|----------|-----|-----|-----|----|------------|
| SBS-500L | 500kgf | 92 | 70 | 90 | 32 | M12 × 1.75 |
| SBS-1 | 1tf | 92 | 70 | 90 | 32 | M18 × 1.5 |
| SBS-2 | 2tf | | | | | |
| SBS-5 | 5tf | 130 | 100 | 120 | 45 | M24 × 2.0 |

