

# BCA single point load cell, 5kgf - 100kgf

Load Cell



### FEATURES

- OIML C3 approved (OIML R60)
- NTEP III 5,000S approved (Handbook 44)
- Off center compensated (OIML R76)
- Protection class IP65

### OPTIONS

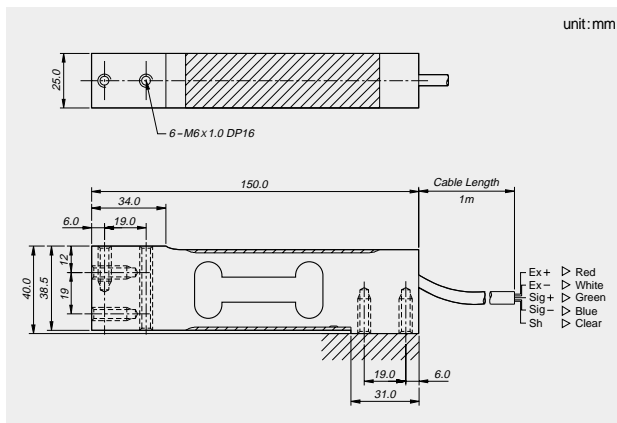
- OIML C3 approved (C3)
- NTEP III 5,000S approved (A5)
- 6-wires connection



### SPECIFICATIONS

Max. capacity	kgf	5, 10, 15, 20, 30, 50, 75, 100	
Rated output	mV/V	2.0 ± 0.2	
Zero balance	mV/V	0 ± 0.1	
Accuracy class		D3	C3, A5
Combined error	%	0.03	0.02
Repeatability	%	0.01	0.01
Creep for 30min.	%	0.03	0.017
Temperature effect on			
Zero Value	%/10°C	0.028	0.014
Output value	%/10°C	0.014	0.011
Excitation			
Recommended	V	10	
Maximum	V	15	
Resistance			
Input	Ω	400 ± 20	
Output	Ω	350 ± 3.5	
Insulation	M.Ω	> 2,000	
Compensated temperature range	°C	-10 to +40	
Operating temperature range	°C	-20 to +70	

### DIMENSIONS



### Material

Anodized Aluminum

### Mounting

Socket-head cap screw M6 × 1.0(10.9)  
Tightening torque: 14Nm

### Cable

Braided Shield 4-wire round cable  
with Urethane-Jacket

### Maximum Platform Size

400 × 400mm

### Ordering Information

BCA - XXXL

Capacity in kg

