

CT Canister load cell, 20kgf - 20tf

Load Cell



FEATURES

- Tension load cell
- Hermetically sealed

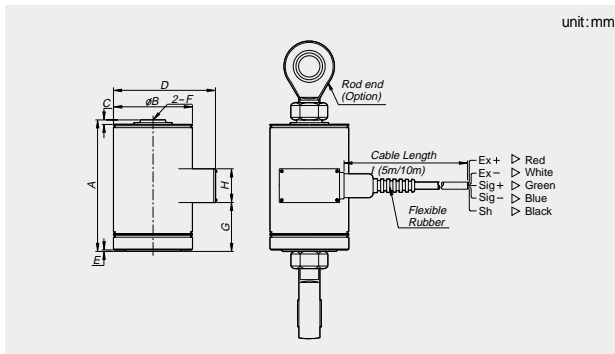
OPTIONS

- High accuracy grade

SPECIFICATIONS

Max. capacity	kgf	20, 50, 100, 200, 300, 500, 1tf, 2tf, 3tf, 5tf, 10tf, 20tf	
Rated output	mV/V	3.0 ± 0.003	
Zero balance	mV/V	0 ± 0.03	
Accuracy class		A	B
Combined error	%	0.02	0.05
Repeatability	%	0.01	0.02
Creep for 30min.	%	0.03	0.03
Temperature effect on			
Zero Value	%/10°C	0.03	0.03
Output value	%/10°C	0.03	0.03
Excitation			
Recommended	V	10	
Maximum	V	15	
Resistance			
Input	Ω	350 ± 3.5	
Output	Ω	350 ± 3.5	
Insulation	MΩ	> 2,000	
Compensated temperature range	°C	-10 to +40	
Operating temperature range	°C	-20 to +80	

DIMENSIONS



Material

Paint finished steel

Cable

Braided shield 4-wire round cable with P.V.C-jacket

Model	Capacity	A	B	C	D	E	F	G	H	I
CT-20L	20kgf	115	89	6	115	2	M12 × 1.25	34	38	5m
CT-50L	50kgf									
CT-100L	100kgf									
CT-200L	200kgf									
CT-300L	300kgf									
CT-500L	500kgf									
CT-1	1tf	148	89	9	115	2	M24 × 2.0	55	38	10m
CT-2	2tf									
CT-3	3tf									
CT-5	5tf									
CT-10	10tf	215	127	12	152	2	M39 × 2.0	75	38	10m
CT-20	20tf	290	165	15	193	2	M50 × 2.0	80	38	

70 CAS

