

H8



- H8 load cells are available in the capacities 0.5t~50t.
- Alloy steel, sealed by adhesive inside, oil-proof, waterproof and anti-corrosion, suitable for all kinds of environments.
- Single shear beam, easy for installation, suitable for electronic truck scales, track scales, hopper scale and other electronic weighing devices.
- Safe and anti-explosive product, can be used in atrocious environment and hazardous areas.

Features

- Capacity: 0.5t~50t
- High accuracy
- Alloy steel construction
- Low profile
- OIML Certificates No:R60/2000-CNI-06.09
- PTB Approval No:D09-05.20

Accessories

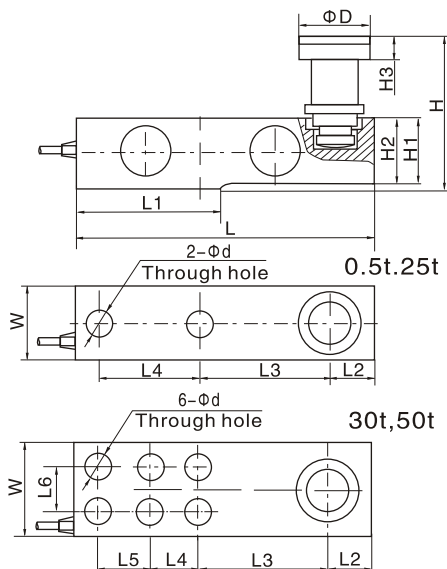
- HY-8-101
- HM-8-401
- BM-8-406



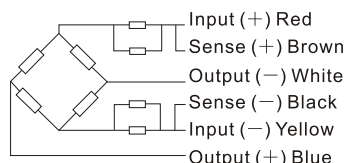
Specifications

| Capacity | t | 0.5/1/2/2.5/3/5/10/15/20/25/30/50 | | | |
|--|------------------|-----------------------------------|-------------------------|-------------------------|-------------------------|
| Accuracy | | C2 | C3 | A5M | B10M |
| Approvals | | | OIML R60 C3 | | |
| Maximum number of verification intervals | n _{max} | 2000 | 3000 | 5000 | 10000 |
| Minimum load cell verification interval | v _{min} | E _{max} /5000 | E _{max} /10000 | E _{max} /15000 | E _{max} /10000 |
| Combined error | (%FS) | ≤±0.030 | ≤±0.020 | ≤±0.026 | ≤±0.050 |
| Creep | (%FS/30min) | ≤±0.024 | ≤±0.016 | ≤±0.017 | ≤±0.040 |
| Temperature effect on sensitivity | (%FS/10°C) | ≤±0.017 | ≤±0.011 | ≤±0.013 | ≤±0.040 |
| Temperature effect on zero | (%FS/10°C) | ≤±0.023 | ≤±0.015 | ≤±0.014 | ≤±0.020 |
| Output sensitivity | (mv/v) | 2.0±0.002 | | | |
| Input resistance | (Ω) | 350±3.5 | | | |
| Output resistance | (Ω) | 351±2.0 | | | |
| Insulation resistance | (MΩ) | ≥5000(50VDC) | | | |
| Zero balance | (%FS) | 1.0 | | | |
| Temperature, compensated | (°C) | -10~+40 | | | |
| Temperature, operating | (°C) | -35~+65 | | | |
| Excitation, recommended | (V) | 5~12(DC) | | | |
| Excitation, max | (V) | 18(DC) | | | |
| Safe overload | (%FS) | 150 | | | |
| Ultimate overload | (%FS) | 300 | | | |

Outline Dimension mm(inch)



| Dimension | H | H1 | H2 | H3 | ΦD | Φd | W | L | L1 | L2 | L3 | L4 | L5 | L6 |
|-----------|-----------------|----------------|---------------|--------------|--------------|--------------|---------------|----------------|---------------|----------------|---------------|--------------|--------------|--------------|
| Capacity | | | | | | | | | | | | | | |
| 0.5-2t | 57.9 (2.28) | 43 (1.69) | 37 (1.47) | 5 (0.2) | 35 (1.38) | 13 (0.51) | 37 (1.47) | 203 (7.99) | 95 (3.74) | 22 (0.87) | 98 (3.86) | 64 (2.52) | / | / |
| 2.5 t | 57.9 (2.28) | 43 (1.69) | 37 (1.47) | 5 (0.2) | 35 (1.38) | 15 (0.59) | 37 (1.47) | 203 (7.99) | 95 (3.74) | 22 (0.87) | 98 (3.86) | 64 (2.52) | / | / |
| 3t | 62.9 (2.48) | 43 (1.69) | 37 (1.47) | 5 (0.2) | 35 (1.38) | 15 (0.59) | 37 (1.47) | 203 (7.997) | 95 (3.74) | 22 (0.87) | 98 (3.86) | 64 (2.52) | / | / |
| 5t | 78.7 (3.1) | 52 (2.05) | 48 (1.89) | 8 (0.31) | 42 (1.65) | 21 (0.83) | 48 (1.89) | 235 (9.25) | 110 (4.33) | 22 (0.87) | 124 (4.88) | 66 (2.6) | / | / |
| 10t,15t | 127.7 (5.03) | 67 (2.64) | 60 (2.36) | 12 (0.47) | 57 (2.24) | 28 (1.10) | 60 (2.36) | 279 (10.98) | 133 (5.24) | 32 (1.26) | 140 (5.51) | 82 (3.22) | / | / |
| 20t,25t | 143.5 (5.65) | 82.5 (3.25) | 70 (2.76) | 12 (0.47) | 70 (2.76) | 34 (1.34) | 70 (2.76) | 318 (12.52) | 153 (6.02) | 38 (1.5) | 159 (6.26) | 89 (3.5) | / | / |
| 30t | 174 (6.85) | 115 (4.53) | 90 (3.54) | 18 (0.71) | 70 (2.76) | 26 (1.02) | 96 (3.78) | 374 (14.72) | 189 (7.44) | 44.5 (1.75) | 181 (7.13) | 76 (2.99) | 51 (2.01) | 46 (1.81) |
| 50t | 213 (8.39) | 143 (5.63) | 100 (3.94) | 28 (1.1) | 85 (3.35) | 29 (1.14) | 105 (4.13) | 416 (16.38) | 210 (8.27) | 48 (1.89) | 196 (7.72) | 92 (3.62) | 56 (2.2) | 52 (2.05) |



Wiring:

Adopt shielded, 6 conductor cable: Φ6.2mm
Standard cable length: 4m(0.5~3t), 7m(5t),
12m(10~50t)
Cable type and cable length for customers'
own application are available on requests.