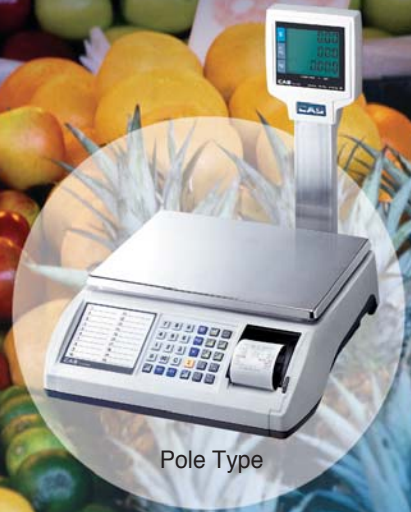


POSCALE

Ticket Printing Scale



Poscale is equipped with printing function designed for the supermarket or open market. Also, with the PC compatibility, Sales report control and price information can be done efficiently



Pole Type



CAS

POSCALE Ticket Printing Scale

FEATURES

- Store Up to 1799 PLU
- 8 Preset Key for Direct PLU
- Up to 4 Different Clerk Sales Support
- PC Software Management
 - PLU Data Up/Down Loading
 - Sales Reporting
 - Customization of Receipt Format
 - Image Up-Loading(*.BMP)
 - Bar Code Setting
- RS 232C
- Cash Drawer (RJ11) Interface

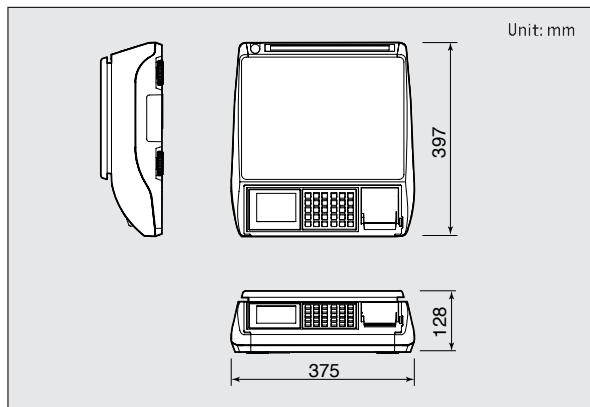
SPECIFICATIONS

Model	POSCALE		
Weighing Capacity	6 kg	15 kg	30 kg
Division, e=	2g	5g	10g
Display Digits	LCD 5/6/6 (Weight / Unit price / Total price)		
Printer Info.	<ul style="list-style-type: none"> • Thermal Printing, 32 Characters Per Line • Printing Speed <ul style="list-style-type: none"> - Dark 1 & AC POWER : 50 mm/sec - Dark 5 & AC POWER : 35 mm/sec - Dark 1 & DC(8.4V) : 44 mm/sec - Dark 5 & DC(8.4V) : 28 mm/sec • Recommended Size for Thermal Paper <ul style="list-style-type: none"> - 58 mm (Width) / 65 μm (Thickness) - 60 mm (Maximum Diameter) 		
Power	AC 230V, 50 ~ 60Hz		
Operating Temperature	-10 °C ~ +40 °C		
Power Utilities	PC, Cash Drawer (12 volts)		
Power consumption	Maximum 35W		
Battery Life	<ul style="list-style-type: none"> • Rechargeable Battery (inside) : 7.4V 2Ah(Li-ion) • Battery Life (continuous usage) <ul style="list-style-type: none"> - Weighing Mode Only : 73 mA, 28 hrs - With Backlight : 170 mA, 12 hrs - With Printer : 1300 mA, 1.5 hrs 		
Dimensions(mm)	Standard Type : 375(W) × 397(D) × 128(H) Pole Type : 375(W) × 433(D) × 436(H)		
Product Weight	Standard Type : 6.8 kg Pole Type : 8 kg		

OPTIONS

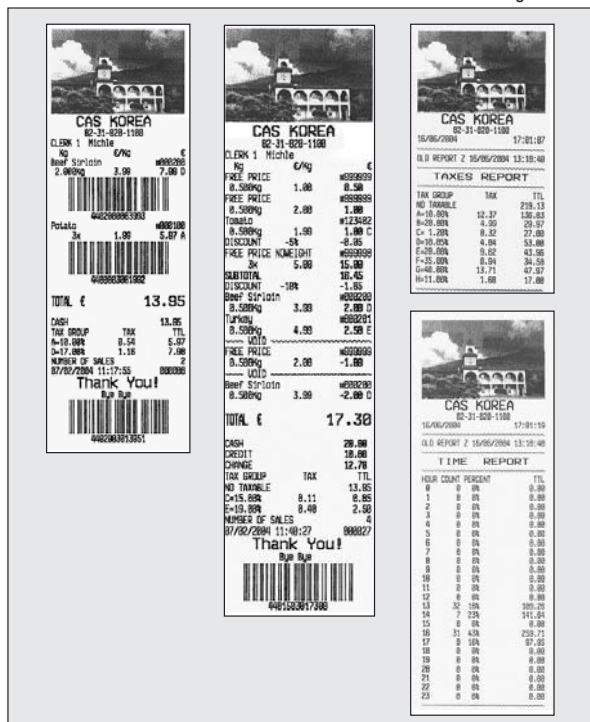
- Back light
- Pole Type Display
- Waterproof cover

DIMENSIONS



TICKET SAMPLE

30% of Original Size



CAS BLDG., #440-1, SUNGNAE-DONG
 GANGDONG-GU, SEOUL, KOREA
 TEL : 82-2-2225-3500
 FAX : 82-2-475-4668